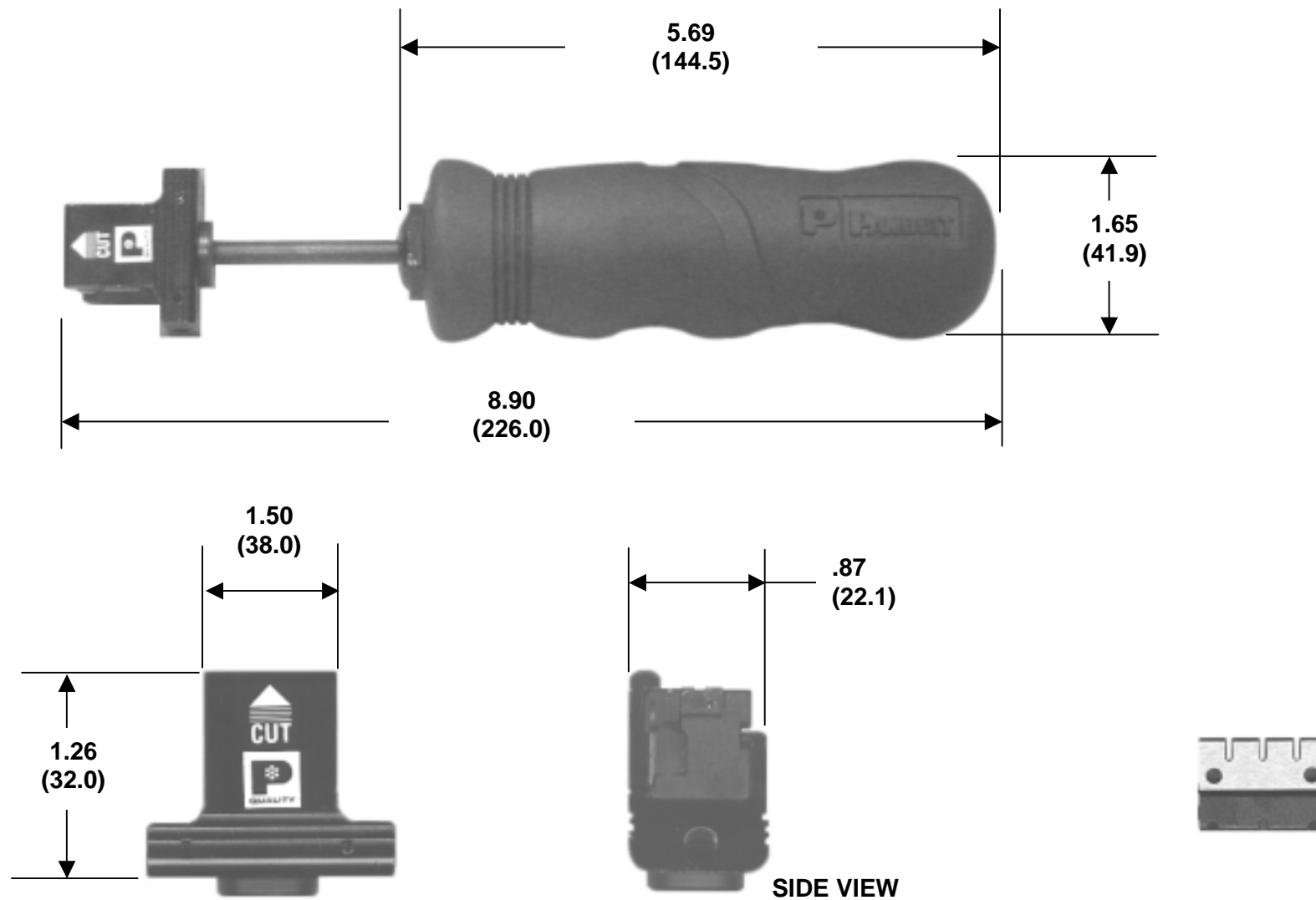


THIS COPY IS PROVIDED ON A RESTRICTED BASIS AND IS NOT TO BE USED IN ANY WAY DETRIMENTAL TO THE INTERESTS OF PANDUIT CORP.



TERMINATION HEAD HOUSING – ALUMINUM
GPDTMH


CUTTING BLADE
GPDTMB

PANDUIT PART NO.	WEIGHT
GPDTM	1.01 LB/ea 458.14 g/ea
GPDTMB	.013 LB/ea 5.95 g/ea
GPDTMH	.128 LB/ea 56.95 g/ea

NOTES:

- SEE CURRENT CATALOG FOR ADDITIONAL PART NUMBER SUFFIXES TO INDICATE PACKAGE QUANTITY.
- PARTS INCLUDED ARE:
 - GPDTM: 4 PAIR MULTIPLE PUNCHDOWN TOOL (INCLUDES ALL COMPONENTS OF GPDTMH)
 - GPDTMB: REPLACEMENT CUTTING BLADE
 - GPDTMH: HEAD FOR IMPACT TERMINATION TOOL CUTTING BLADE AND INSERTION ASSEMBLY.
- DIMENSIONS IN PARENTHESES ARE IN METRIC.
- TERMINATES CABLE ON BOTH CABLE AND CROSSCONNECT SIDES OF GIGA-PUNCH™ CONNECTING BLOCKS. REVERSIBLE BLADE PROVIDES OPTION OF TERMINATING WITHOUT CUTTING WIRE. SEATS 4, PAIR GIGA-PUNCH CONNECTING BLOCKS ONTO GIGA-PUNCH BASE.

FILE LOCATION: F:/PROJ/0102711/CUST DWGS/CG24622B01_00.DOC

										 CORP. TINLEY PARK, ILLINOIS			
										GPDTM, GPDTMB, GPDTMH CUSTOMER DRAWING			
										UNLESS OTHERWISE SPECIFIED, DIMENSIONAL TOLERANCES ARE: (.x) ± ---- (.xxx) ± ---- (.xx) ± ---- ANGLES ± ----		UNLESS OTHERWISE SPECIFIED, ALL DIMENSIONS ARE GIVEN IN INCHES, THIRD ANGLE PROJECTION.	
										DRAWN BY:	MATL:	SCALE	
										BLR	-----	NONE	
										DATE:		DRAWING NO.	DWG
										1-23-03		CG24622B01	B
										CHK'D:			SIZE
										MSH			B
00	1-23-03	BLR	MSH	RELEASED	4038	---		LAH					
REV	DATE	BY	CHK'D	DESCRIPTION	ECN	- R	CUST	SUP					